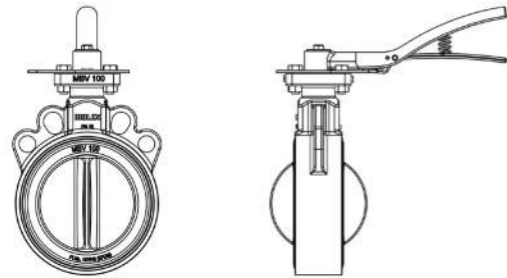


Molex Butterfly Valves

Molex Butterfly Valves can be used to isolate or regulate flow. The disc material is Stainless Steel grade 316, with the seals being EPDM (Ethylene Propylene Diene Monomer). They can be air operated for remote operation or, alternatively, can be operated with a manual ratchet handle allowing the regulation of flow.

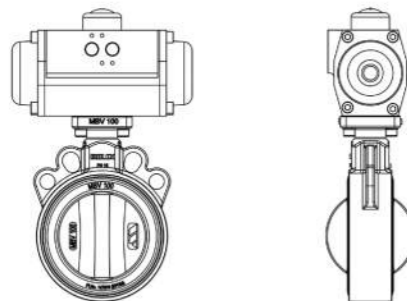
Other Key advantages of Molex Butterfly Valves include:

- Lightweight design
- Compact length
- High strength integrated drive
- Manual or air actuation
- Standard bolt configuration for changeability



Molex Manual Butterfly Valve

Size (inches)	Part No.	Pressure Rating
2	152662	PN16
3	152661	PN16
4	152660	PN16
6	152659	PN16

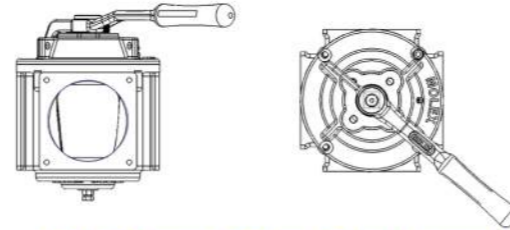


Molex Butterfly Valve Air Operation

Size (inches)	Part No.	Pressure Rating
2	154581	PN16
3	154582	PN16
4	154583	PN16
6	154584	PN16

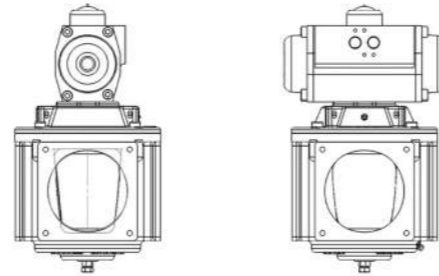
Molex RFV (reverse flow valve)

The four way RFV is incorporated into a vacuum system, allowing a vacuum or pressure to be created in the tank. Operated either manually or with the option of an air actuator, they can be supplied with either a cast iron or bronze plug. Designed to minimise pressure loss, the 4" RFV is suitable up to 1000 cfm and the 6" RFV up to 2000 cfm.



Molex Reverse Flow Valve Manual

Size (inches)	Part No.	Plug
4	151711	Cast Iron
4	151712	Bronze
6	152059	Cast Iron
6	152060	Bronze



Molex Reverse Flow Valve Air Operation

Size (inches)	Part No.	Plug
4	154591	Cast Iron
4	154592	Bronze
6	154593	Cast Iron
6	154594	Bronze



Controlled Power to Deliver Efficiently



Distributed by:
Whale Enterprise PVT Ltd.

1/1D Vilankurichi Road, Near Senthottam, Kalapatti,
Coimbatore - 641 048, Tamilnadu, India

Telephone: +91 95009 45511
sales@whaleenterprise.in www.whaleenterprise.in



Scan for further detail

Molex Valves



Controlled
Power
To
Deliver
Efficiently

Moxex - A Totally Fluid Proposition

Moxex is a UK brand that specialises in products for the waste industry. With four decades of manufacturing experience, the Moxex brand has grown in reputation and is renowned for both high engineering standards and long service life.

Continued innovation has placed particular emphasis on developing mobile applications for both hazardous and non-hazardous use. Today's Moxex product range incorporates the latest material and production developments as well as of course ensuring full compliance with all relevant legislation.



Knife Gate Valves

Pneumatic actuated Moxex Knife Gate Valves are uni-directional wafer valves designed for general Industrial service applications. The design is a one piece cast iron body with guides to support gate and seat wedges, providing high flow rates with low pressure drop.

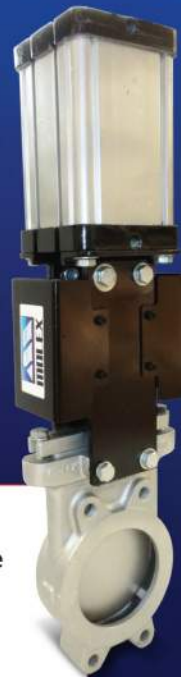
The body is made from SG 400 grade Cast iron and the blade from SS 316 material. The sealing ring is EPDM and the packing is manufactured using PTFE Impregnated synthetic fibre.

Flange connection - DIN PN 10 and ANSI B16.5 (class 150)

Air Pressure – 6 bar

Moxex Knife Gate Valve Manual

Size (inches)	Part No.	Pressure Rating
2 1/2	156759	PN 10
3	156760	PN 10
4	156761	PN 10
6	156762	PN 10

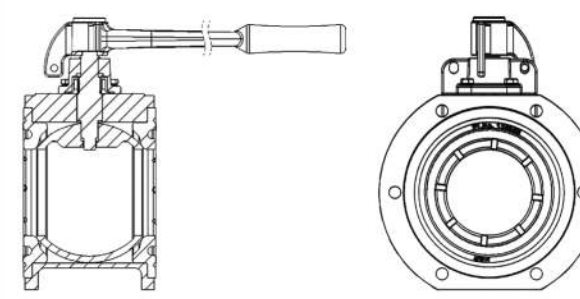


Ball Valves

Many options are available for this popular type of easy operation, full flow valve. These include manual, air or electrical activation. Standard non-hazardous valves are compliant to BS EN 12266 with ADR versions available to BS EN 14432.

Other key advantages of Moxex Ball Valves include:

- Nickel plated cast iron ball
- Stainless steel Grade 316 ball option
- Stainless Steel Grade 316 body option
- Viton seal option (standard NBR)
- Lockable handle open/closed
- Air or electrical actuation available

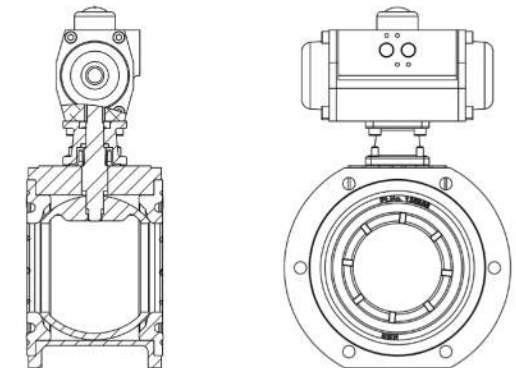


Moxex Valve Manual Cast Iron

Size (inches)	Part No.	Pressure Rating
1 1/2	151590	PN16
2	149766	PN16
3	150503	PN10
4	147609	PN10
6	150556	PN10

Moxex Valve Manual Stainless Steel

Size (inches)	Part No.	Pressure Rating
2	149339	PN16
4	149235	PN10
6	150558	PN10



Moxex Valve Cast Iron Air Operation

Size (inches)	Part No.	Pressure Rating
2	154039	PN16
3	154040	PN10
4	154041	PN10
6	154042	PN10

Moxex Valve Stainless Steel Air Operation

Size (inches)	Part No.	Pressure Rating
2	154043	PN16
4	154044	PN10
6	154045	PN10

